

Product Features

- Electrical interface specifications per SFF-8431
- Management interface specifications per SFF-8432 and SFF-8472
- Compliant to the IEEE802.3by
- High speed / high density: support up to 25.78 Gb/s bi-directional operation
- Low power consumption: less than 1.5W
- Reliable VCSEL and PIN photonic devices
- I²C standard management interface
- Excellent high-speed signal integrity
- Operating temperature Options : 0°C to +70°C
- RoHS6 Compliant



Applications

- 25GBASE Ethernet
- Data Center
- Proprietary high speed, high density data
- High performance computing, server and data storage.

Descriptions

LX595xCDx is a 25Gb/s hot pluggable active optical cable according to 25 Gigabit Small Form Factor Pluggable "SFP28" Multi-Sourcing Agreement (MSA) SFF-8431 Rev. 4.1 and SFF-8472 Rev. 12.1, are designed for use up to 25.78Gb/s data rate over 100m multimode fiber.

LX595xCDx is composed of optical transceivers in both ends and multimode fiber cable in between. This integrated optical module solution removes the complicated optical fiber interface and brings friendly and intuitive electrical-to-electrical interface to users.

LX595xCDx is designed to meet the requirements of high speed, high density and low power consumption for applications in today' s data centers.

Ordering Information

Table 1. Ordering Information

Part Number	Reach	Temp	RoHS
LX5951CDR	1m	0 ~ 70 °C	Compliant
LX5952CDR	2m	0 ~ 70 °C	Compliant
LX5953CDR	3m	0 ~ 70 °C	Compliant
LX5954CDR	5m	0 ~ 70 °C	Compliant
LX5954CDL	7m	0 ~ 70 °C	Compliant
LX5955CDR	10m	0 ~ 70 °C	Compliant
LX5956CDR	20m	0 ~ 70 °C	Compliant
LX5957CDR	30m	0 ~ 70 °C	Compliant
LX5958CDR	50m	0 ~ 70 °C	Compliant
LX5959CDR	100m	0 ~ 70 °C	Compliant

Pin Description

Table 2. Pin Description

Pin	Name	Function/Description	Notes
1	GND	Transmitter Ground (Common with Receiver Ground)	1
2	Tx2-	Transmitter Inverted Data Input	
3	Tx2+	Transmitter Non-Inverted Data output	
4	GND	Transmitter Ground (Common with Receiver Ground)	1
5	Tx4-	Transmitter Inverted Data Input	
6	Tx4+	Transmitter Non-Inverted Data output	
7	GND	Transmitter Ground (Common with Receiver Ground)	1
8	ModSelL	Module Select	2
9	ResetL	Module Reset	2
10	VccRx	3.3V Power Supply Receiver	
11	SCL	2-Wire serial Interface Clock	2
12	SDA	2-Wire serial Interface Data	2
13	GND	Transmitter Ground (Common with Receiver Ground)	1
14	Rx3+	Receiver Non-Inverted Data Output	
15	Rx3-	Receiver Inverted Data Output	
16	GND	Transmitter Ground (Common with Receiver Ground)	1
17	Rx1+	Receiver Non-Inverted Data Output	
18	Rx1-	Receiver Inverted Data Output	
19	GND	Transmitter Ground (Common with Receiver Ground)	1

20	GND	Transmitter Ground (Common with Receiver Ground)	1
21	Rx2-	Receiver Inverted Data Output	
22	Rx2+	Receiver Non-Inverted Data Output	
23	GND	Transmitter Ground (Common with Receiver Ground)	1
24	Rx4-	Receiver Inverted Data Output	1
25	Rx4+	Receiver Non-Inverted Data Output	
26	GND	Transmitter Ground (Common with Receiver Ground)	1
27	ModPrsl	Module Present	
28	IntL	Interrupt	2
29	VccTx	3.3V power supply transmitter	
30	Vcc1	3.3V power supply	
31	LPMODE	Low Power Mode	2
32	GND	Transmitter Ground (Common with Receiver Ground)	1
33	Tx3+	Transmitter Non-Inverted Data Input	
34	Tx3-	Transmitter Inverted Data Output	
35	GND	Transmitter Ground (Common with Receiver Ground)	1
36	Tx1+	Transmitter Non-Inverted Data Input	
37	Tx1-	Transmitter Inverted Data Output	
38	GND	Transmitter Ground (Common with Receiver Ground)	1

Notes:

1. The module signal grounds are isolated from the module case.
2. This is an open collector/drain output that on the host board requires a 4.7KΩ to 10KΩ pull-up resistor to VccHost.

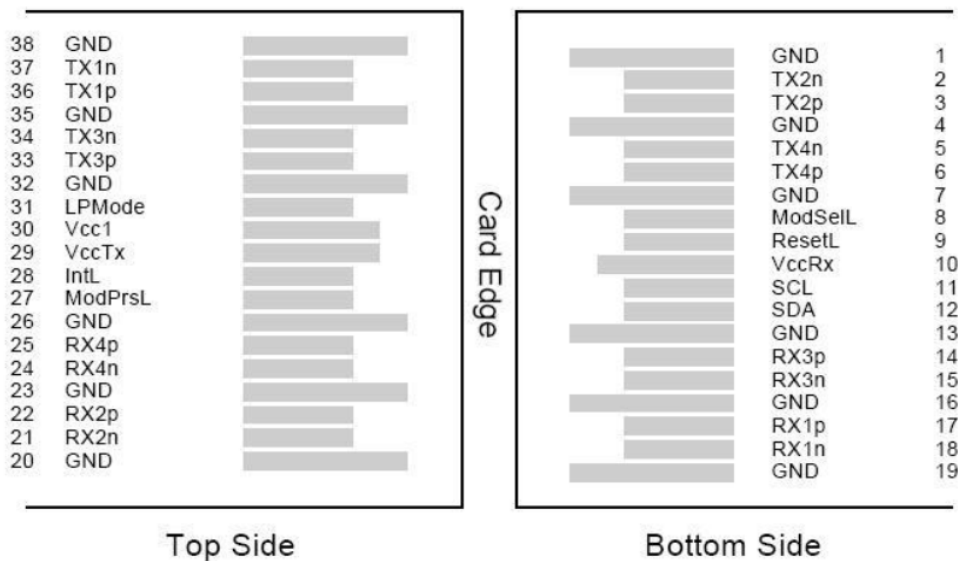


Figure 1. Host PCB QSFP28 pad assignment top view

Absolute Maximum Ratings

Stresses in excess of the absolute maximum ratings can cause permanent damage to the device. These are absolute stress ratings only. Functional operation of the device is not implied at these or any other conditions in excess of those given in the operational sections of the data sheet. Exposure to absolute maximum ratings for extended periods can adversely affect device reliability.

Table 3. Absolute Maximum Ratings

Parameter	Symbol	Minimum	Maximum	Unit
Storage Temperature	T _s	-40	85	°C
Relative Humidity	RH	5	85	%
Supply Voltage	V _{CC}	0	3.6	V

Recommended Operating Conditions

Table 4. Recommended Operating Conditions

Parameter	Symbol	Min	Typ	Max	Unit
Operating Case Temperature LX595xCDx	T _C	0	25	70	°C
Supply Voltage	V _{CC}	3.135	3.3	3.465	V
Data Rate per Channel	-	-	25.78	-	Gb/s

Transceiver Electrical Characteristics

Table 5. Transceiver Electrical Characteristics

Parameter	Symbol	Minimum	Typical	Maximum	Unit	Notes
Supply Current	I _{CC}	-	-	290	mA	-
Power Dissipation	P _D	-	-	1000	mW	-
Clock Rate-I2C	f	-	-	400	kHz	1

Notes:

1. For management interface.

Transmitter Optical Characteristics

Table 6. Transmitter Optical Characteristics

Parameter	Symbol	Minimum	Typical	Maximum	Unit	Notes
Reference Differential Input Impedance	Z _d	-	100	-	Ω	1
Optical Return Loss Tolerance				12	dB	
Differential Data Input Swing	V _{in_pp}	180	-	1200	mV	-

Notes:

1. AC coupled inside AOC module.

Receiver Optical Characteristics

Table 7. Receiver Optical Characteristics

Parameter	Symbol	Minimum	Typical	Maximum	Unit	Notes
Reference Differential Input Impedance	Z _d	-	100	-	Ω	1
Signal Speed	-	-	25.78	-	Gb/s	-
Differential Data Output Swing	-	300	-	850	mV	-

Notes:

1. AC coupled inside AOC module.

General Specifications

Table 8. Transmitter Optical Characteristics

Parameter	Symbol	Minimum	Typical	Maximum	Unit	Notes
Data Rate	BR	-	25.78	-	Gb/s	1
Bit Error Rate	BER			1E-8		

Recommended Application Interface Circuit

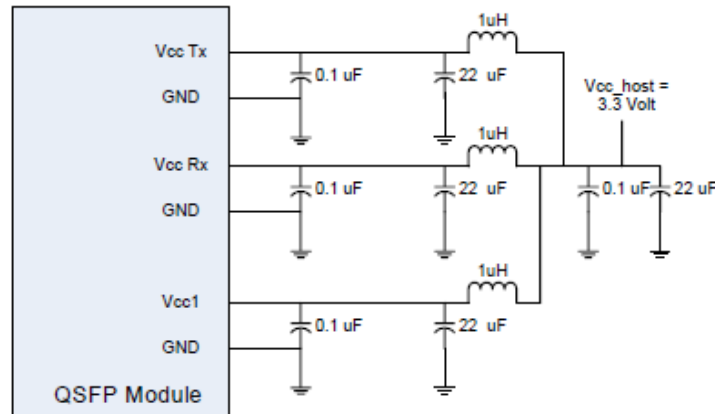


Figure 4. Recommended Host Board Power Supply Filter Network

Mechanical specifications

Parameter	Symbol	Minimum	Typical	Maximum	Unit	Notes
AOC cable length (L <=5m)	L	L-0.06	L	L+0.06	M	-
AOC cable length (L > 5m)	L	L-(L*1.1%)	L	L+(L*1.1%)	M	-
Module Retention	-	90	-	170	N	-
Module Insertion	-	0	-	18	N	-
Module Extraction	-	0	-	25	N	-
Cable Pull Strength – Apply Load at 0°	-	44	-	-	N	-
Cable Pull Strength – Apply Load at 90°	-	33	-	-	N	-
Clearance Out of IO Bezel	-	75	-	-	nm	-
Cable Bending Radius	-	3	-	-	cm	-
Insertion / Removal Cycles	-	50	-	-	cycles	-

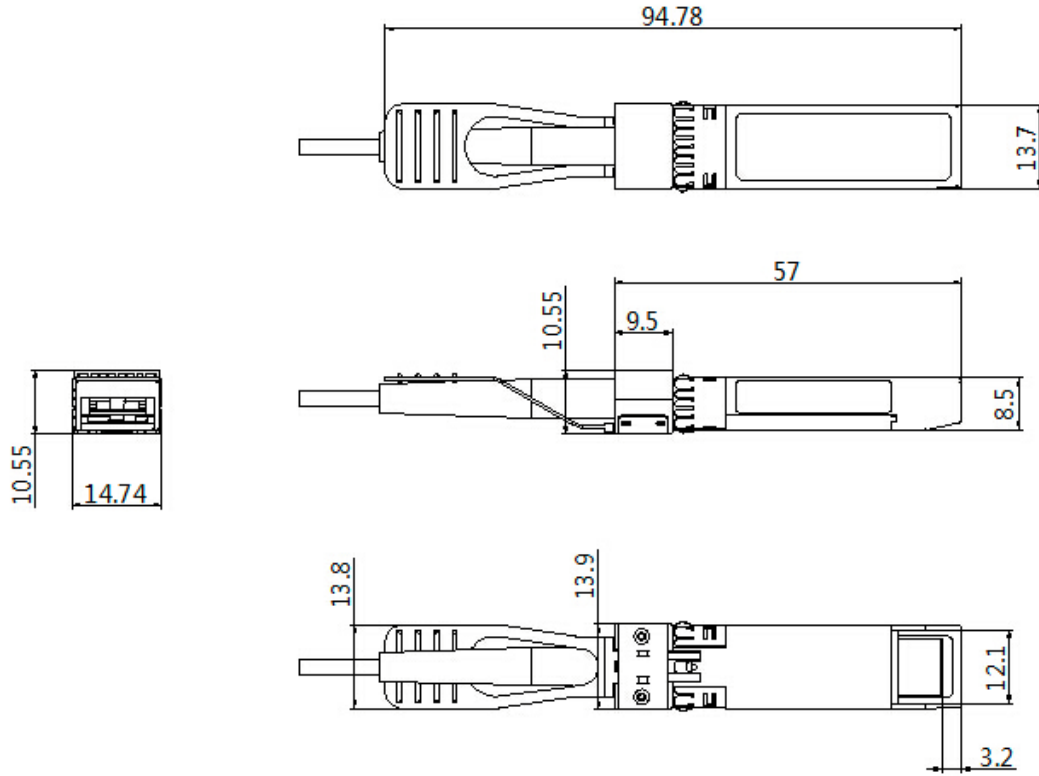


Figure 5. Outline Drawing

Revision History

Date	Rev	Description	Modified By
08/28/2020	V1.1	Update company address	Bowen Huang

For More Information

Linktel Technologies Co., Ltd

info@linkteltech.com

www.linkteltech.com

Linktel USA

1601 McCarthy Blvd #9, Milpitas, CA 95035, USA

Tel: +1 408 807 0482

Email: linktelus@linkteltech.com

jimli@linkteltech.com

Linktel International (Except USA)

E12, No. 52 Liufang Road, East-Lake Hi-tech Development Zone, Wuhan, China

Tel: +86 27 8792 9207

Email: ailsagong@linkteltech.com

Linktel China

E12, No. 52 Liufang Road, East-Lake Hi-tech Development Zone, Wuhan, China

Tel: +86 27 8792 9213

Email: lifan@linkteltech.com