

Product Features

- Electrical interface specifications per SFF-8431
- Management interface specifications per SFF-8431 and SFF-8472
- SFP+ MSA package with duplex LC connector
- DWDM-rated EML Transmitter
- Up to 10.3Gb/s bi-directional data links
- 100GHz ITU Grid, C-Band
- Single +3.3V power supply
- Class 1 laser safety certified
- Commercial operating temperature: 0°C to +70°C
- Up to 80km on 9/125 μm SMF
- RoHS Compliant



Applications

- 10G Ethernet 10GBASE-ZR/ZW
- 80km 10G DWDM Network

Descriptions

LX42xxCDR SFP+ transceivers, according to Enhanced 8.5 and 10 Gigabit Small Form Factor Pluggable “SFP+” Multi-Sourcing Agreement (MSA) SFF-8431 and SFF-8472, revision 10.4, are designed for DWDM 10G ethernet data communications up to 80km over single mode fiber. They are compliant with IEEE Std 802.3-2005 10Gb Ethernet 10GBase-ZR/ZW.

LX42xxCDR are compliant with RoHS.

Ordering Information

Table 1. Ordering Information

Part Number	Transmitter	Output Power	Receiver	Sensitivity	Reach	Temp	DDM	RoHS
LX42xxCDR	DWDM EML	0 ~ +4dBm	APD	< -24dBm	80km	0 ~ 70 °C	Available	Compliant

Notes: See Table 2 – Wavelength Guide for “xx” value.

Table 2. Wavelength Guide for “xx” value (100GHz ITU-T channel)

Channel #	Product Part Number	Frequency (THz)	Center Wavelength (nm)
17	LX4217CDR	191.7	1563.86
18	LX4218CDR	191.8	1563.05
19	LX4219CDR	191.9	1562.23
20	LX4220CDR	192.0	1561.42

21	LX4221CDR	192.1	1560.61
22	LX4222CDR	192.2	1559.79
23	LX4223CDR	192.3	1558.98
24	LX4224CDR	192.4	1558.17
25	LX4225CDR	192.5	1557.36
26	LX4226CDR	192.6	1556.55
27	LX4227CDR	192.7	1555.75
28	LX4228CDR	192.8	1554.94
29	LX4229CDR	192.9	1554.13
30	LX4230CDR	193.0	1553.33
31	LX4231CDR	193.1	1552.52
32	LX4232CDR	193.2	1551.72
33	LX4233CDR	193.3	1550.92
34	LX4234CDR	193.4	1550.12
35	LX4235CDR	193.5	1549.32
36	LX4236CDR	193.6	1548.51
37	LX4237CDR	193.7	1547.72
38	LX4238CDR	193.8	1546.92
39	LX4239CDR	193.9	1546.12
40	LX4240CDR	194.0	1545.32
41	LX4241CDR	194.1	1544.53
42	LX4242CDR	194.2	1543.73
43	LX4243CDR	194.3	1542.94
44	LX4244CDR	194.4	1542.14
45	LX4245CDR	194.5	1541.35
46	LX4246CDR	194.6	1540.56
47	LX4247CDR	194.7	1539.77
48	LX4248CDR	194.8	1538.98
49	LX4249CDR	194.9	1538.19
50	LX4250CDR	195.0	1537.40
51	LX4251CDR	195.1	1536.61
52	LX4252CDR	195.2	1535.82
53	LX4253CDR	195.3	1535.04
54	LX4254CDR	195.4	1534.25
55	LX4255CDR	195.5	1533.47
56	LX4256CDR	195.6	1532.68
57	LX4257CDR	195.7	1531.90

58	LX4258CDR	195.8	1531.12
59	LX4259CDR	195.9	1530.33
60	LX4260CDR	196.0	1529.55
61	LX4261CDR	196.1	1528.77

Pin Description

Table 3. Pin Description

Pin	Name	Function/Description	Notes
1	VeeT	Transmitter Ground	1
2	TX_Fault	Transmitter Fault (LVTTTL-O) - High indicates a fault condition	2
3	TX_Disable	Transmitter Disable (LVTTTL-I) – High or open disables the transmitter	3
4	SDA	Two wire serial interface Data Line (LVCMOS-I/O) (MOD-DEF2)	4
5	SCL	Two wire serial interface Clock Line (LVCMOS-I/O) (MOD-DEF1)	4
6	MOD_ABS	Module Absent (Output), connected to VeeT or VeeR in the module	5
7	RS0	Rate Select 0 – Not used, Presents high input impedance	-
8	RX_LOS	Receiver Loss of Signal (LVTTTL-O)	2
9	RS1	Rate Select 1 – Not used, Presents high input impedance	-
10	VeeR	Receiver Ground	1
11	VeeR	Receiver Ground	1
12	RD-	Inverse Received Data out (CML-O)	-
13	RD+	Received Data out (CML-O)	-
14	VeeR	Receiver Ground	-
15	VccR	Receiver Power - +3.3V	-
16	VccT	Transmitter Power - +3.3 V	-
17	VeeT	Transmitter Ground	1
18	TD+	Transmitter Data In (CML-I)	-
19	TD-	Inverse Transmitter Data In (CML-I)	-
20	VeeT	Transmitter Ground	1

Notes:

1. The module signal grounds are isolated from the module case.
2. This is an open collector/drain output that on the host board requires a 4.7KΩ to 10KΩ pull-up resistor to VccHost.
3. This input is internally biased high with a 4.7KΩ to 10KΩ pull-up resistor to VccT.
4. Two-Wire Serial interface clock and data lines require an external pull-up resistor dependent on the capacitance load.
5. This is a ground return that on the host board requires a 4.7KΩ to 10KΩ pull-up resistor to VccHost.

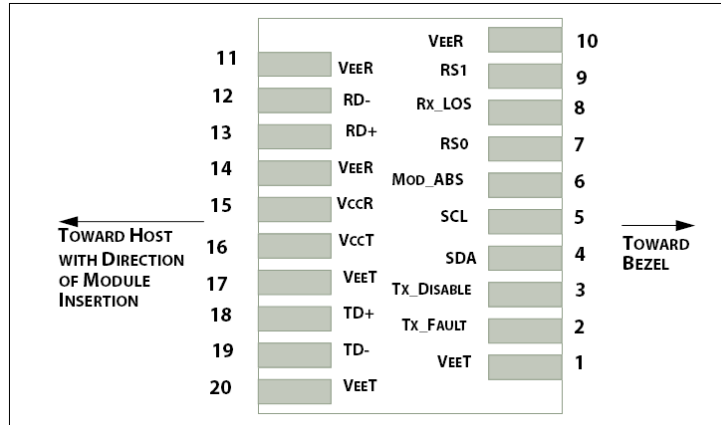


Figure 1. Host PCB SFP+ pad assignment top view

Absolute Maximum Ratings

Stresses in excess of the absolute maximum ratings can cause permanent damage to the device. These are absolute stress ratings only. Functional operation of the device is not implied at these or any other conditions in excess of those given in the operational sections of the data sheet. Exposure to absolute maximum ratings for extended periods can adversely affect device reliability.

Table 4. Absolute Maximum Ratings

Parameter	Symbol	Minimum	Maximum	Unit
Storage Temperature	T _s	-40	85	°C
Relative Humidity	RH	5	95	%
Supply Voltage	V _{cc}	-0.5	4.0	V

Recommended Operating Conditions

Table 5. Recommended Operating Conditions

Parameter	Symbol	Min	Typ	Max	Unit
Operating Case Temperature	T _c	0	25	70	°C
Supply Voltage	V _{cc}	3.135	3.3	3.465	V
Data Rate	-	-	10.3125	-	Gb/s

Transceiver Electrical Characteristics

Table 6. Transceiver Electrical Characteristics

Parameter	Symbol	Minimum	Typical	Maximum	Unit	Notes
Module Supply Current	I _{cc}	-	300	450	mA	-
Power Dissipation	P _D	-	1.0	1.5	W	-

Transmitter							
Input Differential Impedance		Z_{IN}	-	100	-	Ω	-
Differential Data Input Swing		$V_{IN, P-P}$	180	-	700	mV _{P-P}	-
TX_FAULT	Transmitter Fault	V_{OH}	2.0	-	V_{CCHOST}	V	-
	Normal Operation	V_{OL}	0	-	0.8	V	-
TX_DISABLE	Transmitter Disable	V_{IH}	2.0	-	V_{CCHOST}	V	-
	Transmitter Enable	V_{IL}	0	-	0.8	V	-
Receiver							
Output Differential Impedance		Z_O	-	100	-	Ω	-
Differential Data Output Swing		$V_{OUT, P-P}$	300	-	850	mV _{P-P}	1
Data Output Rise Time, Fall Time		t_r, t_f	28	-	-	ps	2
RX_LOS	Loss of signal (LOS)	V_{OH}	2.0	-	V_{CCHOST}	V	3
	Normal Operation	V_{OL}	0	-	0.8	V	3

Notes:

- Internally AC coupled, but requires a external 100 Ω differential load termination.
- 20–80%.
- LOS is an open collector output. Should be pulled up with 4.7K Ω on the host board.

Transmitter Optical Characteristics

Table 7. Transmitter Optical Characteristics

Parameter	Symbol	Minimum	Typical	Maximum	Unit	Notes
Launch Optical Power	P_o	0	-	+4.0	dBm	1
Center Wavelength Range	λ_c	1528.77	-	1563.86	nm	-
Center Wavelength Spacing	-	-	100	-	GHz	-
Center Wavelength Tolerance	$\Delta\lambda_c$	-100	-	100	pm	-
Extinction Ratio	EX	9.0	-	-	dB	2
Side Mode Suppression Ratio	SMSR	30	-	-	dB	-
Spectral Width (-20dB)	-	-	-	1	nm	-
Transmitter and Dispersion Penalty	TDP	-	-	3.0	dB	-
Relative Intensity Noise	RIN	-	-	-128	dB/Hz	-
Optical Return Loss Tolerance	ORLT	-	-	21	dB	-
Pout @TX-Disable Asserted	P_{off}	-	-	-30	dBm	1
Tx Power Monitor Accuracy	-	-	-	± 3	dB	-
Eye Diagram	IEEE Std 802.3-2005 10Gb Ethernet 10GBASE-ZR compatible					

Notes:

- The optical power is launched into 9/125 μ m SMF.
- Measured with a PRBS 2³¹-1 test pattern @10.3125Gbps.

Receiver Optical Characteristics

Table 8. Receiver Optical Characteristics

Parameter	Symbol	Minimum	Typical	Maximum	Unit	Notes
Center Wavelength	λ_c	1528	-	1565	nm	-
Receiver Sensitivity (P_{avg})	S	-	-	-24	dBm	1
Receiver Overload (P_{avg})	P_{OL}	-7.0	-	-	dBm	1
Optical Return Loss	ORL	-	-	-27	dB	-
Chromatic Dispersion	CD	-	-	1600	ps/nm	-
OSNR	-	27	-	-	dB	2
Max OSNR Path Penalty	-	-	-	4	dB	2
Optical Power Path Penalty	-	-	-	3	dB	-
Rx Power Monitor Accuracy	-	-	-	± 3	dB	-
Dispersion Limited Distance	-	-	-	80	Km	-
Attenuation Limited Distance	-	-	-	80	Km	-
LOS De-Assert	LOS_D	-	-	-25	dBm	-
LOS Assert	LOS_A	-35	-	-	dBm	-
LOS Hysteresis	-	0.5	-	-	dB	-

Notes:

1. Measured with PRBS 2³¹-1 test pattern, 10.3125Gb/s, BER<10⁻¹².
2. Receiver power@ -7~-18dBm, 10.3125Gb/s, BER<10⁻¹².

Recommended Host Board Power Supply Filter Network

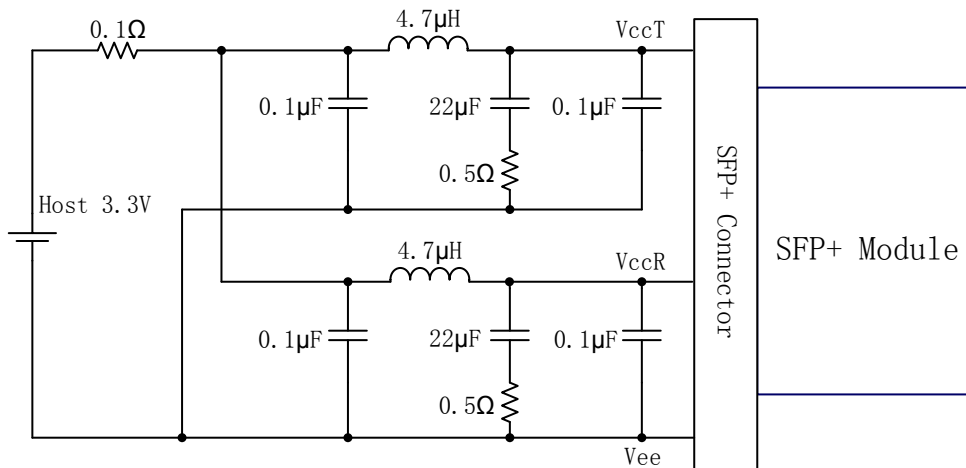


Figure 2. Recommended Host Board Power Supply Filter Network

Recommended Application Interface Block Diagram

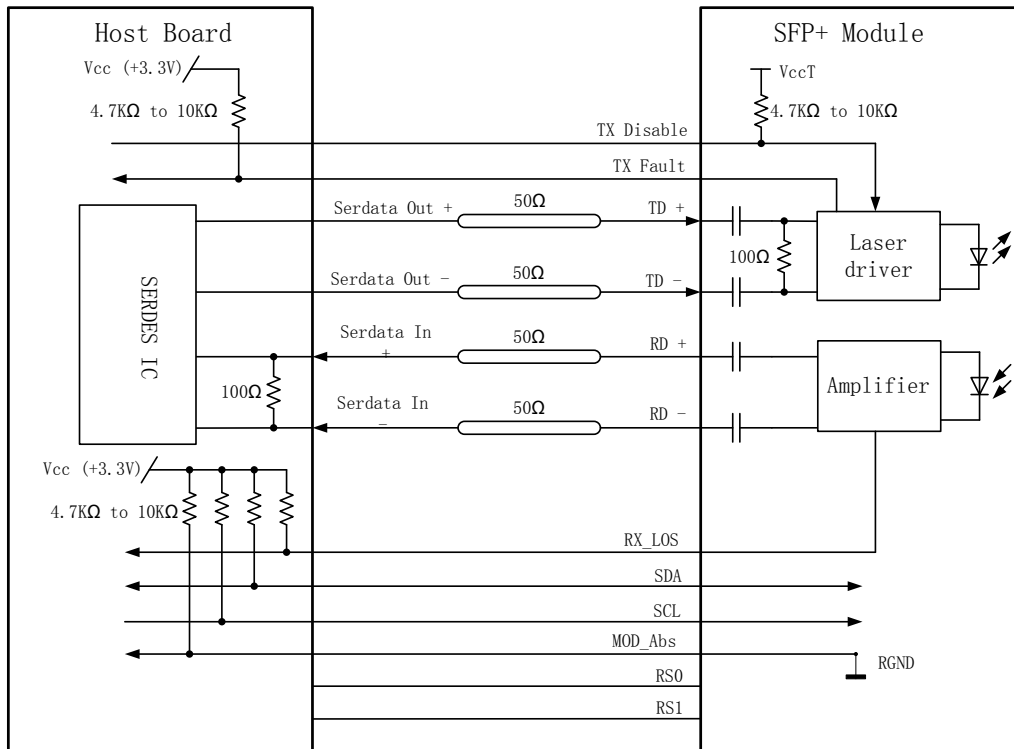


Figure 3. Recommended Application Interface Block Diagram

Mechanical specifications

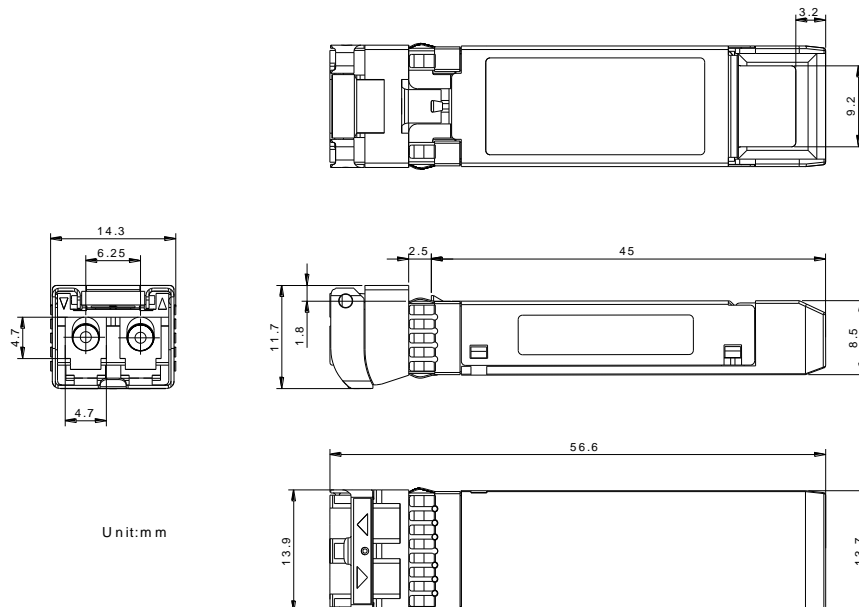


Figure 4. Outline Drawing

Revision History

Date	Rev	Description	Modified By
11/23/2020	V1.0	Preliminary Release	Xing Zhang

For More Information

Linktel Technologies Co., Ltd

info@linkteltech.com

www.linkteltech.com

Linktel USA

1601 McCarthy Blvd #9, Milpitas, CA 95035, USA

Tel: +1 408 807 0482

Email: linktelus@linkteltech.com

jimli@linkteltech.com

Linktel International (Except USA)

E12, No. 52 Liufang Road, East-Lake Hi-tech Development Zone, Wuhan, China

Tel: +86 27 8792 9207

Email: ailsagong@linkteltech.com

Linktel China

E12, No. 52 Liufang Road, East-Lake Hi-tech Development Zone, Wuhan, China

Tel: +86 27 8792 9213

Email: lifan@linkteltech.com